

PreXion

CBCT | PAN | CEPH

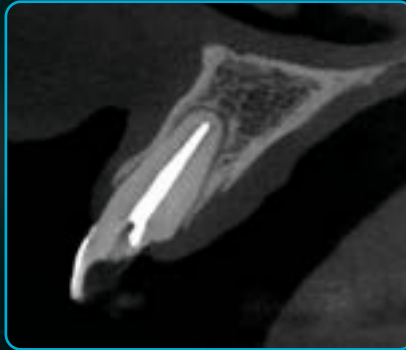
evolve



3D CLINICAL IMAGES

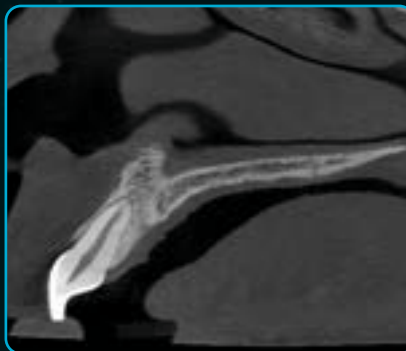
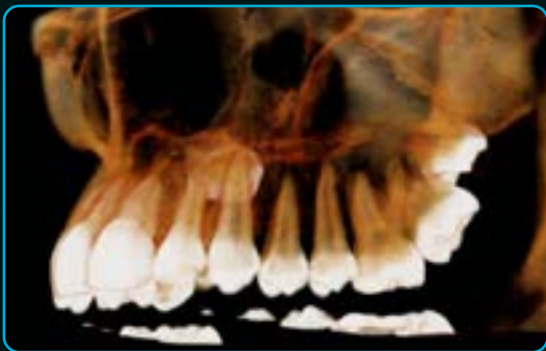
FOV 5x5ø • ENDO

This small FOV is optimal for local diagnostics such as single implant planning, 3rd molar extraction and endodontic procedures. It has a resolution of 75µm and has 4 distinct programs, to better adjust the patient's exposure dose according to the purpose of the exam.



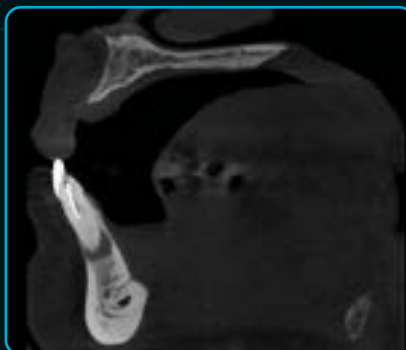
FOV 6x9ø • MAXILLA OR MANDIBLE

Allows the visualization of 1 arch (maxillary or mandible) and TMJ (left or right condyle separately).



FOV 9x9ø • COMPLETE MANDIBLE

For the visualization of the entire arch, including the mandible, maxilla and mandibular ramus.



PreXion3D evolve

3-in-1

With impressive technology and innovative algorithms, the *Dental CT Scanner AXR* is prepared for high-flow demands and provides a complete solution in a single product. It is intelligent, precise and has a performance that will impress the most demanding professionals.



CEPH ARM:

Adding the Ceph arm boosts the Prexion Evolve's diagnostic potential for cephalometric exams. Its specialized Ceph sensor, creates high-quality images of hard and soft tissue with equal excellence. Collimation mechanisms and rapid scanning techniques minimize X-ray exposure.

Scan time

Standard Mode: 4.1 - 16.5s

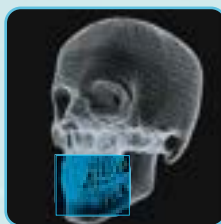
Fast Mode: 2.5 - 10s



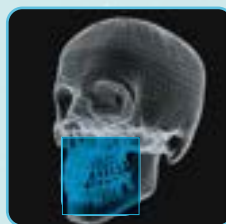
THE IDEAL FOV FOR EACH NEED



5x5Ø



6x9Ø



9x9Ø

POSSIBLE CONFIGURATIONS:

PAN + CBCT (SFOV)

PAN + CBCT + CEPH (SFOV)

PANORAMIC CLINICAL IMAGES

Panoramic



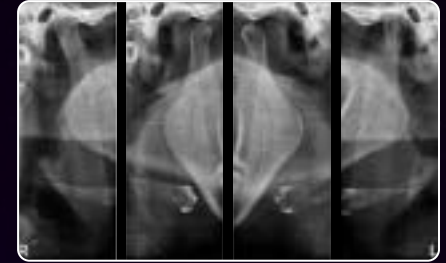
Children's Panoramic



Enhanced Ortho



TMJ



Fast Pan



Bitewing



Maxillary Sinuses



CEPHALOMETRICAL CLINICAL IMAGES

Lateral Ceph



AP/PA Frontal Ceph



Fast Ceph



Carpal Ceph



Oblique Ceph



PreXion2D evolve

Pan + Ceph

The user-friendliness and image quality of Prexion 2D Evolve set it apart. Its enhanced filters adjust images to suit your requirements, and its multislice capability allows easy navigation through 41 panoramic slices, enabling precise visualization of desired structures. Moreover, the reconstruction algorithms ensure exceptional sharpness and contrast in every scan.



3 POSSIBLE CONFIGURATIONS:

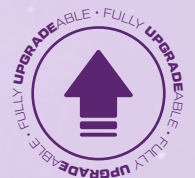
- PAN
- PAN + CEPH (1 sensor)
- PAN + CEPH (2 sensors)

CEPH ARM:

Adding the Ceph arm boosts the Prexion Evolve's diagnostic potential for cephalometric exams. It's specialized Ceph sensor, creates high-quality images of hard and soft tissue with equal excellence. Collimation mechanisms and rapid scanning techniques minimize X-ray exposure.

Scan time

- Standard Mode: 4.1 - 16.5s
- Fast Mode: 2.5 - 10s

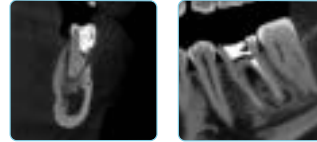


3D ALGORITHMS

ENHANCING YOUR WORK-FLOW EFFICIENCY AND DIAGNOSTIC ACCURACY

UHD mode for endodontics

Prexion Evolve has a resolutions with Isotropic Voxel of 75µm to 400µm.



Patient Motion Correction (PMC)

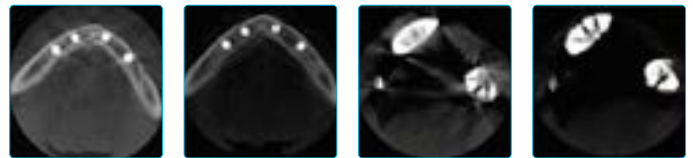
The Prexion Evolve algorithm automatically corrects the image imperfections caused by patient micro-movements. This ensures high exam quality, avoiding repetitions and offering greater accuracy for making diagnoses.



Without PMC With PMC

Metal Artefact Reduction (MAR)

The Prexion Evolve line features three processing levels that can be chosen to correct gutta-percha deformities, implants and/or full arch prosthesis and metal restorations, in addition to automatic metal reduction.



Without MAR With MAR Without MAR With MAR

This tool also allows image reprocessing, for a better diagnosis, preventing the need to generate new exposure to the patient.

2D ALGORITHMS

HARNESSING INTELLIGENT TECHNOLOGY TO PRODUCE STUNNING PANORAMIC EXAM IMAGES.

Prexion Evolve Smart Contrast

An innovative algorithm, working in all parts of the image, to treat and improve the contrast of each area individually. This results in a homogenous and noise-free image - allowing clear visualization of details, and better diagnosis.



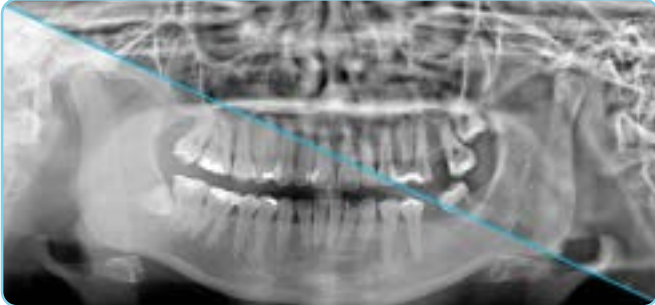
Prexion Evolve

Prexion Evolve software features an innovative function that delivers a final image with greater detail and definition, especially in the region of incisors and canines, TMJ and root canals.

The combination of algorithms allows the reconstruction of an optimized panoramic image. Prexion Evolve technology brings the exceptional diagnostic quality to the most challenging cases.

Filters

Prexion Evolve machines have optimization filters (brightness, contrast and layer thickness), which allow you to adapt the images to your preferred style in order to serve your market with the best images.



VERSATILITY AND INNOVATION: THE PREXION EVOLVE FOCUS

V-Beam: Guarantees high definition images.

A product with different tube voltages

The Dental CT Scanner AXR has a 120kV tube on its 3D machines. Operating at 120 kV with special radiation filters increases the average energy of the beams, resulting in:

- 1) Fewer image artifacts by reducing Beam Hardening in the patient.
- 2) Lower radiation dose and improved image quality by filtering low-energy beams more efficiently.



120 kv

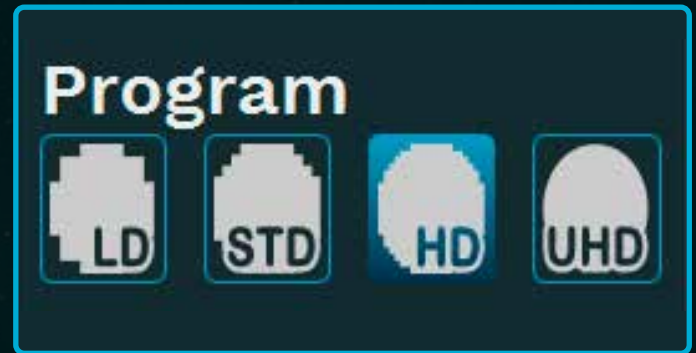
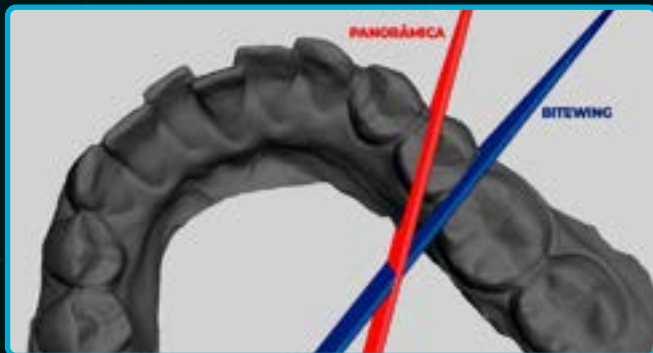
90 kv

3 Axes

The advanced movement system has three axes (two orthogonal directions and one rotation), providing greater flexibility in the preparation of radiographic profiles, optimization of the thickness of the cutting plane and constant vertical recovery.

Choose the ideal programme for your needs

Achieve the ideal resolution for each exam by adjusting the exposure time and voxel size based on the exam objective. Control the exposure to get a higher resolution or lower exposition image.



MANAGEMENT SYSTEM

PREXION EVOLVE SOFTWARE

Prexion Evolve's software focuses on user-friendliness, that examines performance gains in reporting. It assists professionals in accomplishing what they need to in as few clicks as possible - facilitating patient flow.

Dental Imaging Software - Prexion Evolve



REGISTER

Simple and intuitive: register users (with different levels of permission), dentists and patients.



SEARCH

Focused on user-friendliness: search for users, dentists and patients.



CAPTURE AND EDIT

Capture 2D and 3D images, and edit 2D images, all in the same software.



EXPORT

Export images and DICOM files in formats compatible with most software systems worldwide.



PANORAMIC REPORTS

Speed and practicality: Perform panoramic reports directly in the acquisition software.

OPTIONAL



Prexion Evolve Connection

The Dicom Worklist tools, communication via PACS, and acquisition via TWAIN driver, enable immediate sending of images generated by the equipment, to all of the leading image management and sharing programmes.

Prexion Evolve IP (Implant Planning)

Implant Planning is a tool that allows you to simulate implants directly on your computer.

You can simulate the position of implants in two-dimensional imagery, identify the mandibular canal and take measurements.

Prexion Evolve Ceph (Manual)

A software tool for manual cephalometrical trace reports. (Available protocols: MCNAMARA, USP, Ricketts, Steiner, Rocabado, Tweed, among others.)

Prexion Evolve AI Diagnostic

Applying scientifically recognized protocols, Artificial Intelligence accelerates productivity in complex analyses and adds efficiency to your business.

		3D SFOV	2D
SOFTWARE EAGLE EYE	PATIENT AND EXAMINATION MANAGEMENT	S	S
	TWAIN	S	S
	IMAGE MANAGEMENT	S	S
	POST IMAGE PROCESSING	S	S
	EXPORT TO EMAIL	S	S
	DICOM (IMPORT, SAVE, SEND)	S	S
	MEASUREMENTS AND NOTES	S	S
	PRINT TEMPLATE	S	S
	PREXION EVOLVE CONNECTION (GENERATION OF VIEWS, PACS COMMUNICATION, DICOM WORKLIST)	S	S
	CEPH (CEPHALOMETRIC TRACE)	S	S
	IMPLANT PLANNING	S	S
	CEPHALOMETRY - IMAGE SIZE	S	S
	CEPHALOMETRY - ARTIFICIAL INTELLIGENCE	O	O
	SOFTWARE TOMOGRAPHY	MAR - ARTEFACT CORRECTION	0/1/2/3
PMC - PATIENT MOTION CORRECTION		S	NA
3D RECONSTRUCTION - CERA		NA	NA
3D VIEWER		S	NA

S: STANDARD

O: OPTIONAL (module sold separately)

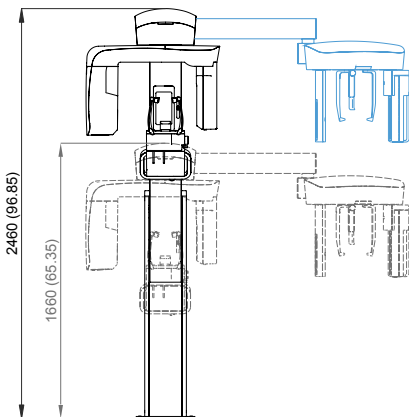
NA: NOT APPLICABLE

PRODUCT SPECIFICATION COMPARISON TABLE

		3D SFOV	2D
PRODUCT	MODEL	AXR120	AXR90
	FOCAL POINT (mm)	0.5	0.5
	VOXEL (μm)	75 - 400	NA
	FOV (FIELD OF VIEW)	5x5, 6x9, 9x9	NA
	CEPH	O	O (1 OR 2 SENSORS)
	TUBE VOLTAGE (kV)	60 - 120	60 - 90
	TUBE CURRENT (mA)	3.2 - 16	3.2 - 16
	POWER SUPPLY VOLTAGE (V)	110/127/220/240 AC	110/127/220/240 AC
	BITE BLOCKS	5 BITE BLOCKS & 3 CHIN RESTS	5 BITE BLOCKS & 3 CHIN RESTS
IMAGE PROGRAMMES	SOFTWARE - LICENSES	PREXION EVOLVE (1 SERVER + 5 CLIENTS)	PREXION EVOLVE (1 SERVER + 5 CLIENTS)
	ADULT PAN	S	S
	INFANT PAN	S	S
	FAST PAN	S	S
	SINUSES	S	S
	TMJ	S	S
	BITE WING	S	S
	IMPROVED ORTHO	S	S
	MULTI-SLICE	S	S
	2D FILTERS - ACQUISITION MODE (ORIGINAL, 1, 2, 3) AND OPTIMIZED AUTO PAN	S	S
UP GRADES	DOSE / RESOLUTION	LD/STD/HD/UHD	NA
	CEPH	S	S
	3D - SFOV	N/A	S

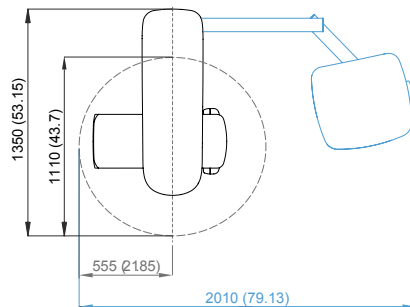
S: STANDARD O: OPTIONAL (module sold separately) NA: NOT APPLICABLE

DIMENSIONS

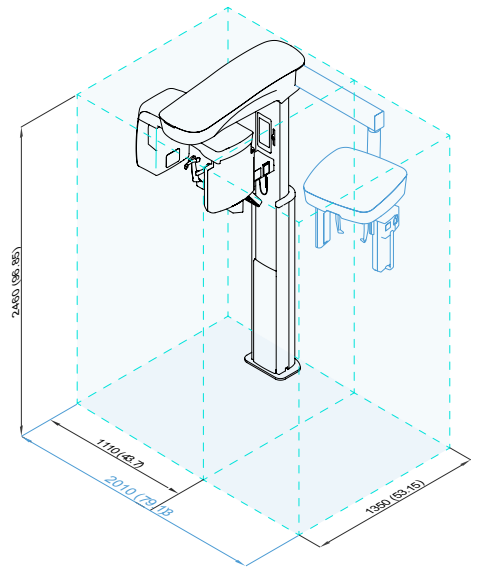


FRONT VIEW

Unit of length: mm (inches)



TOP VIEW



[USA]
PreXion, Inc.

181 Metro Drive, Suite 190, San Jose, CA 95110, USA
Tel: +1-650-212-0300 Fax: +1-650-212-0310
E-mail: info@prexion.com www.prexion.com

[JAPAN]
PreXion Corporation

1-14-1 Kanda Suda-cho, Chiyoda-ku, Tokyo, 101-0041, Japan
Tel: +81-3-5297-2822 Fax: +81-3-5297-7552
E-mail: info@prexion.co.jp www.prexion.co.jp